



Mayfran offers more.

## MAYFRAN HINGED STEELBELT CONVEYORS

Your Pressroom Partner



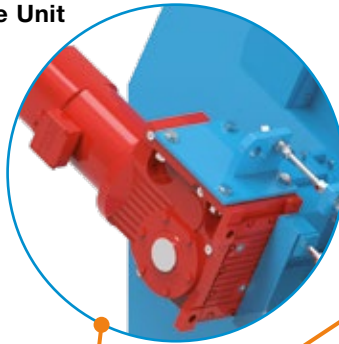
# MAYFRAN HINGED STEELBELT CONVEYORS

In Europe for more than 40 years our know-how has assured our customers a strong and reliable conveyor system. The conveyor structure, manufactured from precision built stock material, is designed to suit each application, interchange of parts or accommodate future extensions easily.

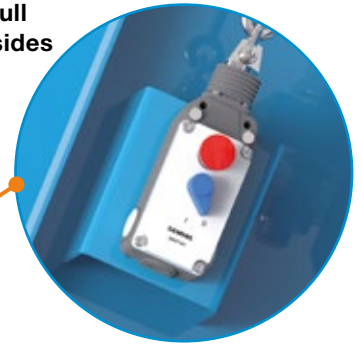
Belt cleaner brush



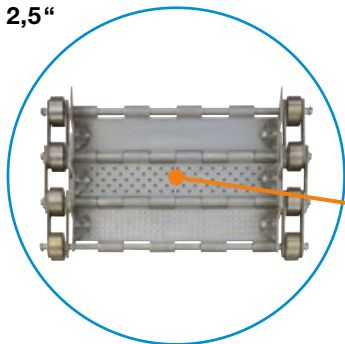
Drive Unit



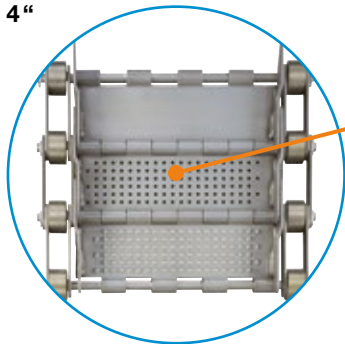
Emergency pull switch both sides



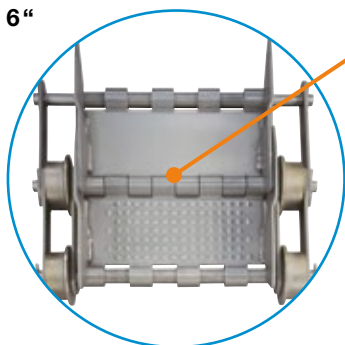
2,5"



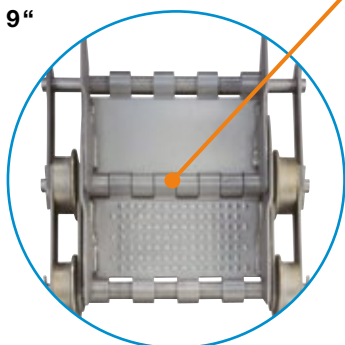
4"



6"



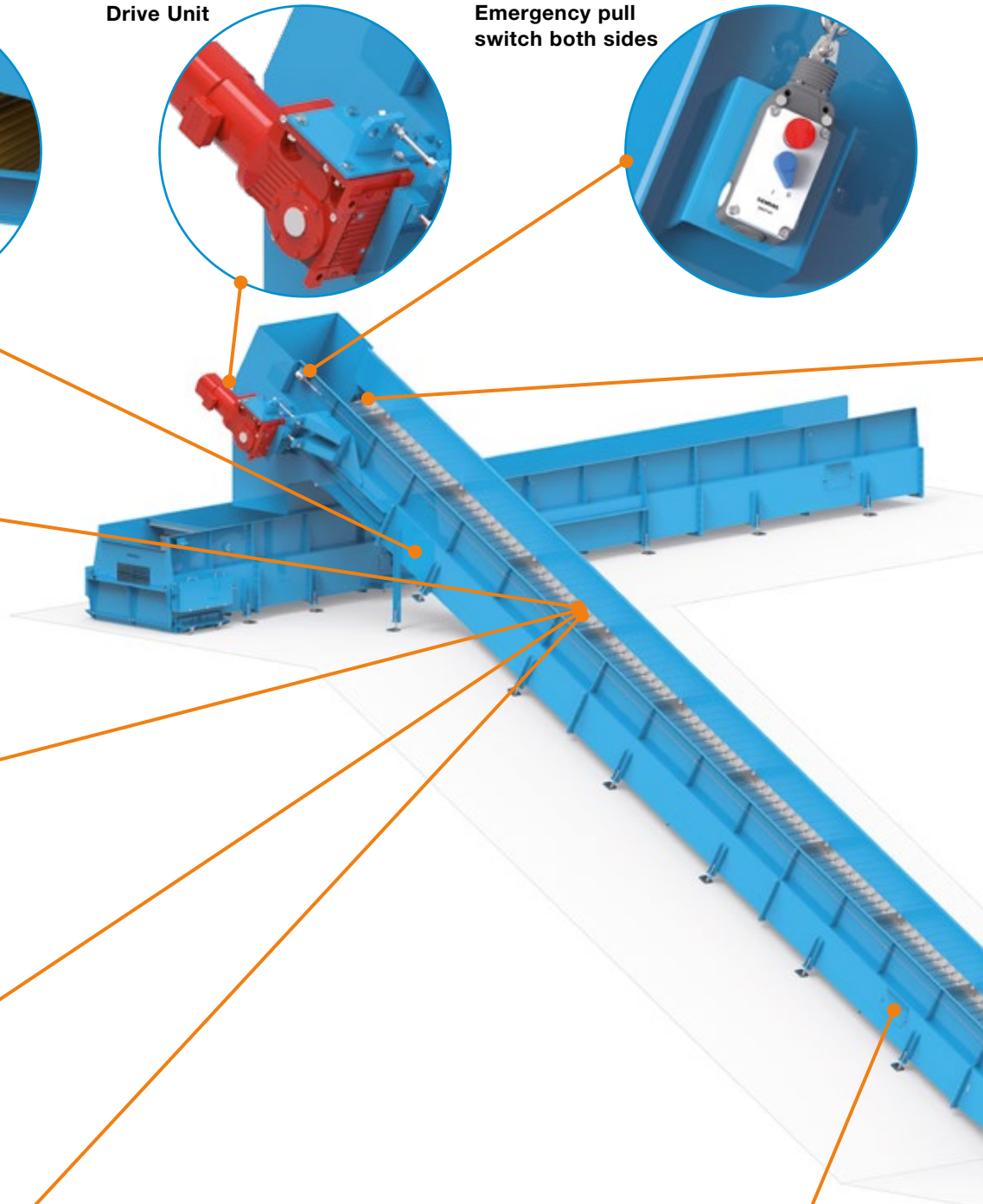
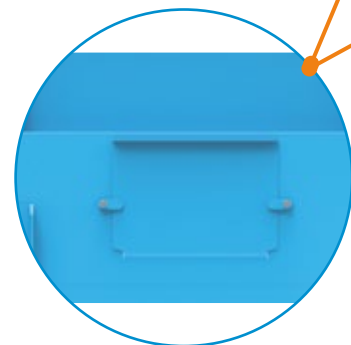
9"



**Steelbelt available in various designs, depending on the application:**

- Perforated, dimpled or plain surfaces
- Bended and welded loops
- Reinforced belt plates
- Reinforced cleats

Inspection door both sides



# BENEFITS

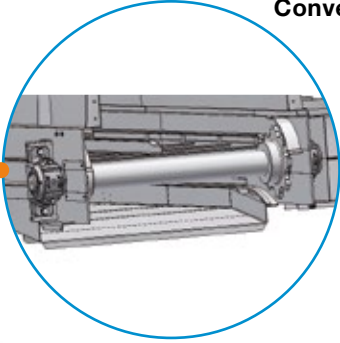
Your partner in...

- Automobile industry
- Automobile supply industry
- Household appliance industry
- Foundry industry
- Electric industry
- Casting industry

With our conveyor technology we transport

- Cast iron and steel chips
- Press and punching scrap
- Chip briquettes
- Scrap metal packages
- Electronic scrap
- Cast and forged parts
- Wood waste such as wood chips
- Waste and recycling materials

Conveyor frame



Lubrication unit



Chains design

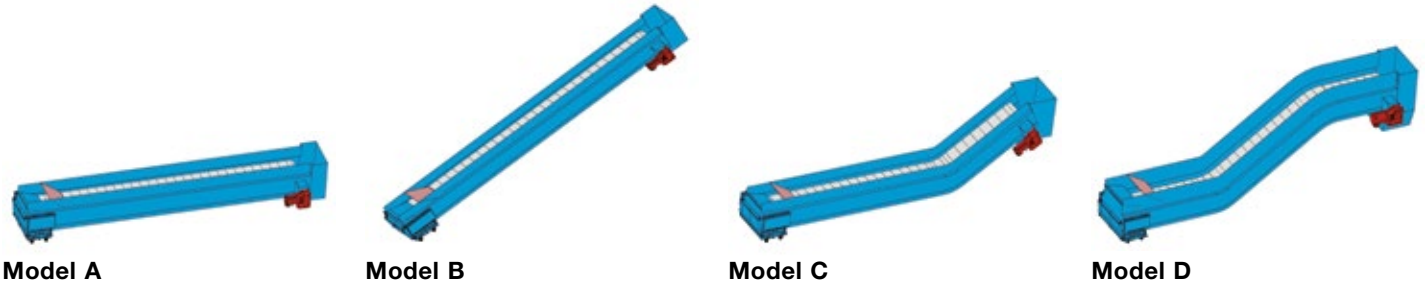
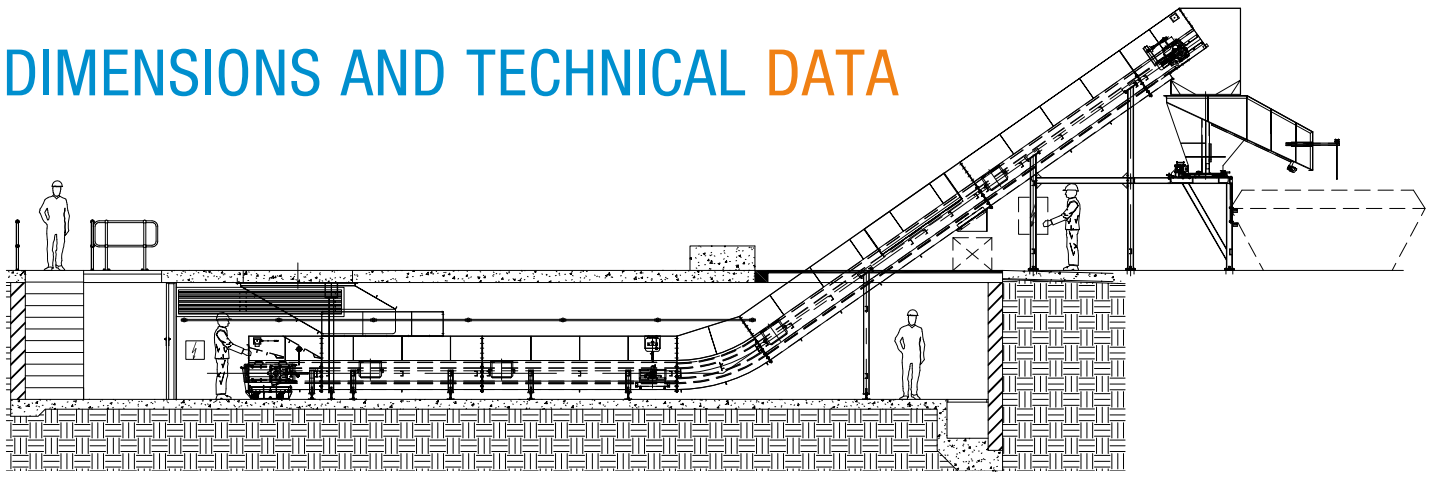


Belt installation opening

Belt rotation control



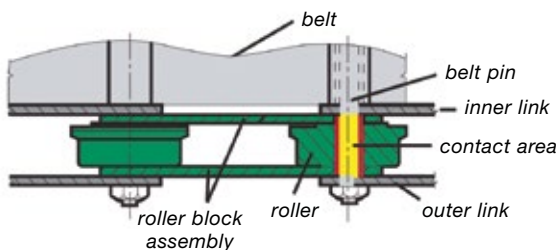
# DIMENSIONS AND TECHNICAL DATA



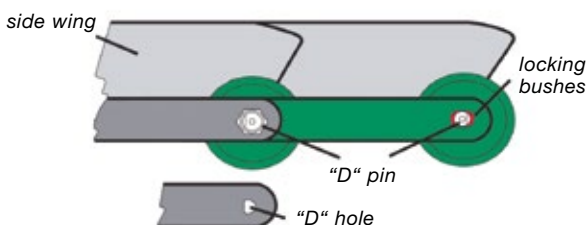
Model	2,5" = 63,5 mm	4" = 101,6 mm	6" = 152,4 mm	9" = 228,6 mm
<b>A/B</b>	H to 25 m V to 3 m	H to 50 m V to 3 m	H to 90 m V to 3 m	H to 200 m V to 3 m
<b>C</b>	H to 20 m V to 4 m	H to 40 m V to 6 m	H to 80 m V to 6 m	H to 150 m V to 6 m
<b>D</b>	H to 20 m V to 3 m	H to 40 m V to 4 m	H to 70 m V to 5 m	H to 130 m V to 5 m
<b>Frame height</b>	220 mm	354 mm	550 mm	820 mm
<b>Max. Belt width</b>	762 mm	1219 mm	1981 mm	2134 mm
<b>Transport capacity</b>	4 Ton/h	20 Ton/h	50 Ton/h	> 50 Ton/h
<b>Conveyor speed</b>	4 m/min	7 m/min	10 m/min	15 m/min

Approx. value vary depending on the application H = Sprocket distance horizontal V = Sprocket distance vertical

## CHAIN DESIGN



Locking bushes are pressed fit into the roller block assembly. "D" holes in the outer link mate with "D" pins positive contact.



- The MAYFRAN design reduces the relative motion and related friction that occurs at the joint between chain side bars and pins, which is the main cause of chain wear.
- A belt tube passes trough the formed or welded hinged loops to link the individual belt plates, simultaneously increasing the resistance to sagging and encases the full width of the belt pins.
- This reduces the tension on the belt plates due to the belt now being pulled solely by the chains.

# Mayfran offers more.

## MORE FLEXIBILITY

Tailored made designs: Different sizes available from 2 m width to 200 m length, plus a variety of incline angles are possible.

Belt plates with variable surfaces to suit each individual application.



## MORE SAVINGS

Resource and energy savings as a result of efficient disposal of stamped scrap.

Low operating costs.

Low maintenance costs.

Rapid return on investments.

## MORE DIGITALIZATION

Frequency converters from SEW or Siemens to optimally control the material discharge.

Siemens PLCs for standardized programming as well as safety programming according to ISO 13849-1.

Electrical diagrams are easier to check as a result of E-plan drawing packages.

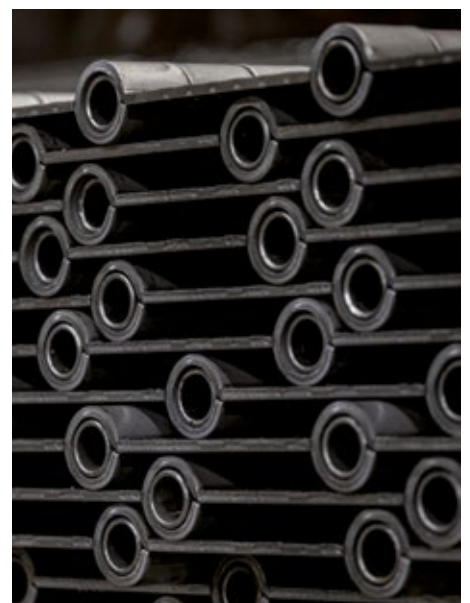


## MORE SERVICE LIFE

Reinforced chain guides.

Resistant overload protection for the drive unit to increase the lifetime.

Remote diagnostics by means of modern modem, reducing machine downtime to a minimum.



## MACHINE TOOL PRODUCTS

- Hinged belt swarf conveyors
- Scraper belt swarf conveyors
- Conveyors with integrated filters and separators
- Pump stations
- Media type and media free filter systems
- High pressure coolant delivery systems
- Central coolant filtration systems
- Magnetic and cyclone sludge removal systems
- Refillmatic coolant top up and concentration control
- Swarf bins

## SWARF PROCESSING

- Swarf handling and loading systems
- Swarf crushers
- Swarf centrifuges
- Magnetic swarf separation
- Briquetting systems

## SCRAP TRANSPORT AND RECYCLING

- Stamping scrap transporting conveyors
- Shuffle conveyors & press mounted shuffle beams
- Scrap loading systems
- Ash conveyors
- Conveyors for heavy duty recycling

## STAMPING AND PRESS-INDUSTRY

- Conveyors for all kinds of press and punching scrap and parts
- Shuffle conveyor for specific applications
- Metal scrap disposal systems

## MORE INFORMATION:



## MAYFRAN SERVICE MAIL:

[service@mayfran.eu](mailto:service@mayfran.eu)

## MAYFRAN INTERNATIONAL B.V.

P.B. 31032, Edisonstraat 7  
6370 AA Landgraaf / Netherlands  
tel.: +31 45 53 29-292  
[info@mayfran.eu](mailto:info@mayfran.eu) · [www.mayfran.eu](http://www.mayfran.eu)

## MAYFRAN U.K. LTD.

Unit 38 Bradley Fold Trading Estate  
Bradley Fold Road, Radcliffe,  
Bury BL2 6RT / United Kingdom  
tel.: +44 1204 36 64 69  
fax: +44 1204 36 68 40  
[info@mayfran.co.uk](mailto:info@mayfran.co.uk) · [www.mayfran.co.uk](http://www.mayfran.co.uk)